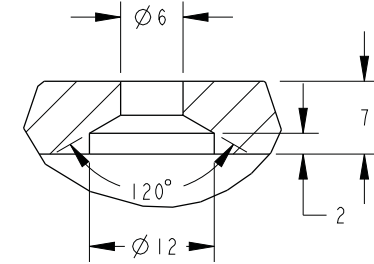
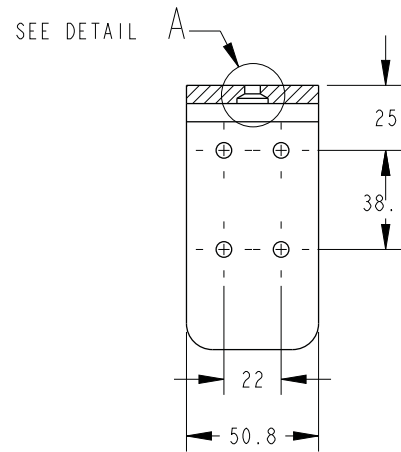
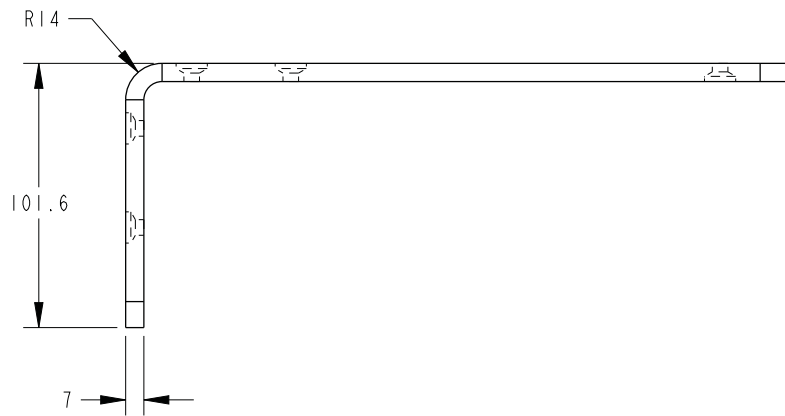
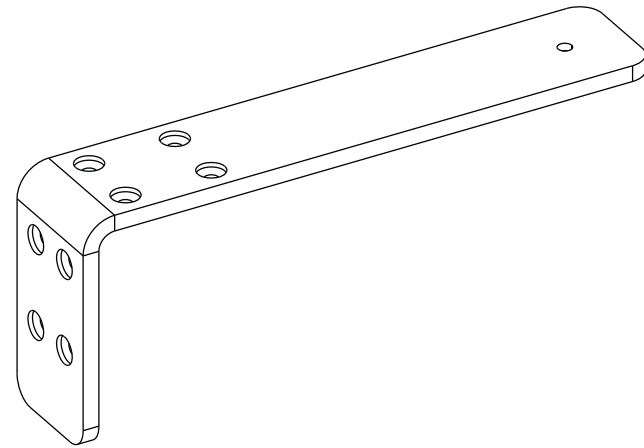
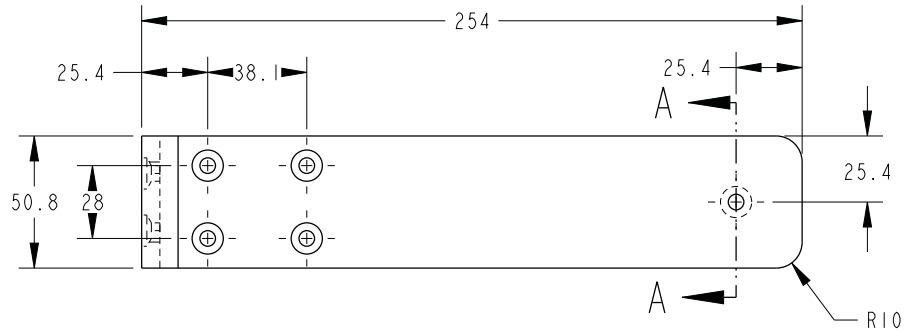


9 8 7 6 5 4 3 2 1



DETAIL A
SCALE 2.000

SECTION A - A

DOCUMENT STATUS	UNLESS OTHERWISE SPECIFIED DIMENSIONS ARE IN MILLIMETERS (MM)	THIRD ANGLE PROJECTION			hardware resources PRODUCT DESCRIPTION CTOPSUPI0-L
	DIMENSIONS OR FEATURES WITH * ARE CRITICAL	GENERAL TOLERANCES	MATERIALS		
THE INFORMATION CONTAINED WITHIN THIS DRAWING IS THE SOLE PROPERTY OF HARDWARE RESOURCES INC. ANY REPRODUCTION IN PART OR WHOLE WITHOUT WRITTEN PERMISSION OF HARDWARE RESOURCES INC. IS PROHIBITED.	0.00 - 14.99	± 0.10	STEEL		DRAWING:
	15.00 - 39.99	± 0.20			
	40.00 - 74.99	± 0.30			SIZE: B
	75.00 - 99.99	± 0.45			SCALE: 0.333
	100.00 - 199.99	± 0.70			SHEET: 1/1
	200.00 - 299.99	± 1.00			
	300.00 +	± 1.10			
ANGLE	± 1.0°				

ECN NUMBER	REV	DESCRIPTION	CHANGED BY	DATE

9 8 7 6 5 4 3 2 1